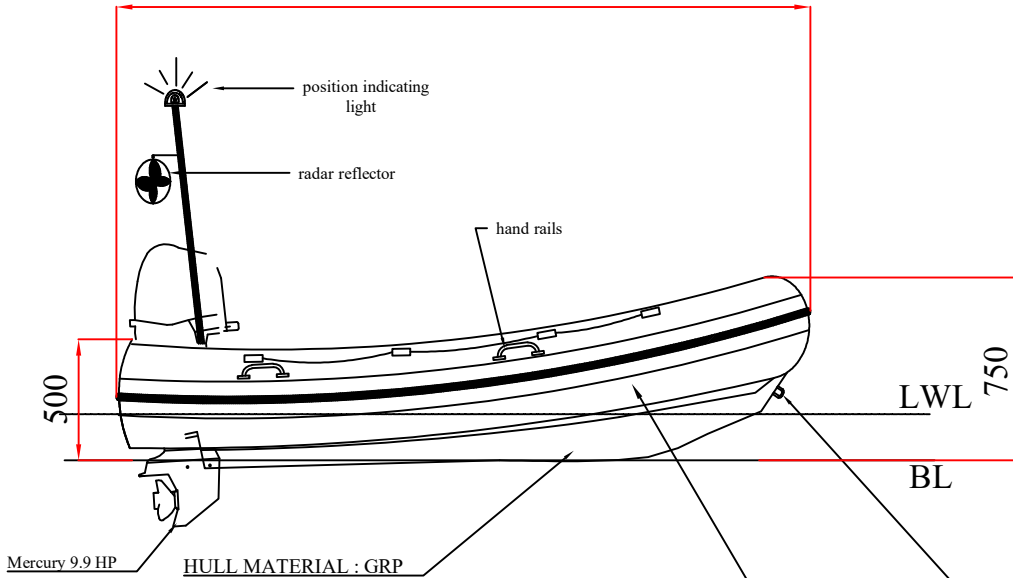
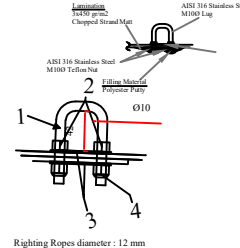


3000



Righting Hold

EYE PLATE ACCESSORIES:		
ITEM NO	DESCRIPTION	MATERIAL
1	EYE PLATE	AISI 316
2	NUTS	AISI 316
3	SUPPORT PLATE	GRP
4	TEFLON NUTS	AISI 316



BUOYANCY TUBE
TUBE COMPARTMENT : TOTAL 3 INDEPENDENT AIR COMPARTMENT

Lamination
3x450 gr/m2
Chopped Strand Matt

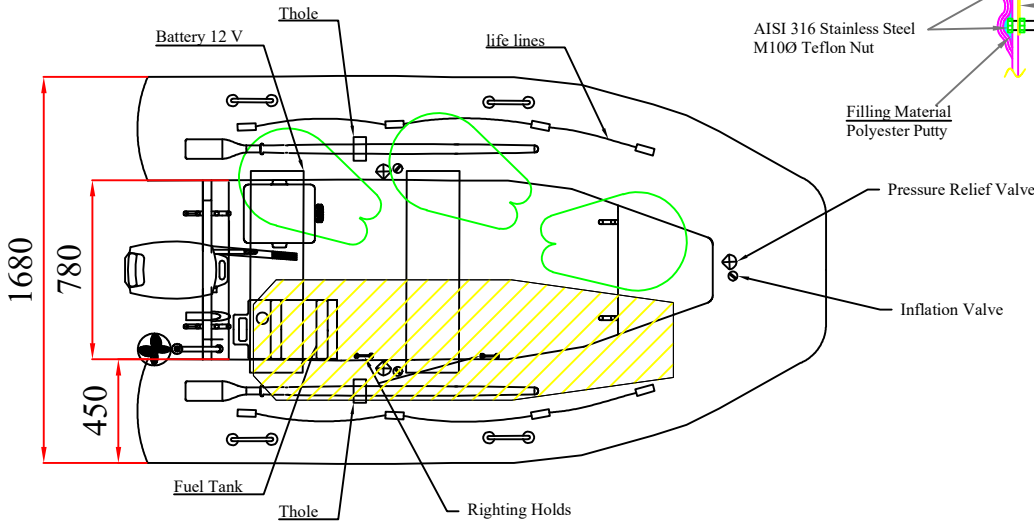
Bow mooring ringbolt

AISI 316 Stainless Steel
M100 Lug

AISI 316 Stainless Steel
M100 Teflon Nut

Face Plate
AISI 316 Stainless Steel
t= 2 mm

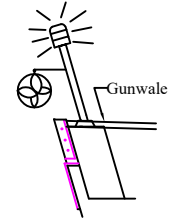
Filling Material
Polyester Putty



SEATS DIMENSIONS

INDICATION LIGHT AND RADAR REFLECTOR

Minimum Indicating light height is above a sat person on the bench.



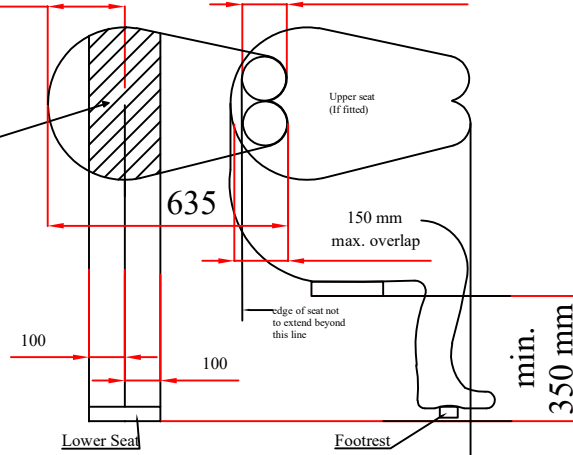
GENERAL DIMENSIONS

Lo.a.	3.00 m (inc. Fender)
Bo.a.	1.68 m (inc. Fenders)
Height	0.75 m
Draft	0.20 m
Capacity	4 Persons
Engine	Mercury 9.9 HP
Weight (Unloaded)	110 kg
Weight (Loaded)	540 kg

215 mm
Radius

Diameter
125 mm

Minimum seat area extends 100 mm to both sides of half circle base line and to full width of figure.



Rev. No.	REV.	Date
3		
2		
1		

GEP A FIBERGLASS INDUSTRY & TRADE CO. INC.
Aydintepe Mah. Harmandalı Sok. No:10, Aydıntepe
34947 TUZLA / ISTANBUL / TURKEY

GENERAL ARRANGEMENT		DATE
CAD/CAE		DRAWING NO.
DESIGN AND CONT.		
SCALE	CLASS	REV.