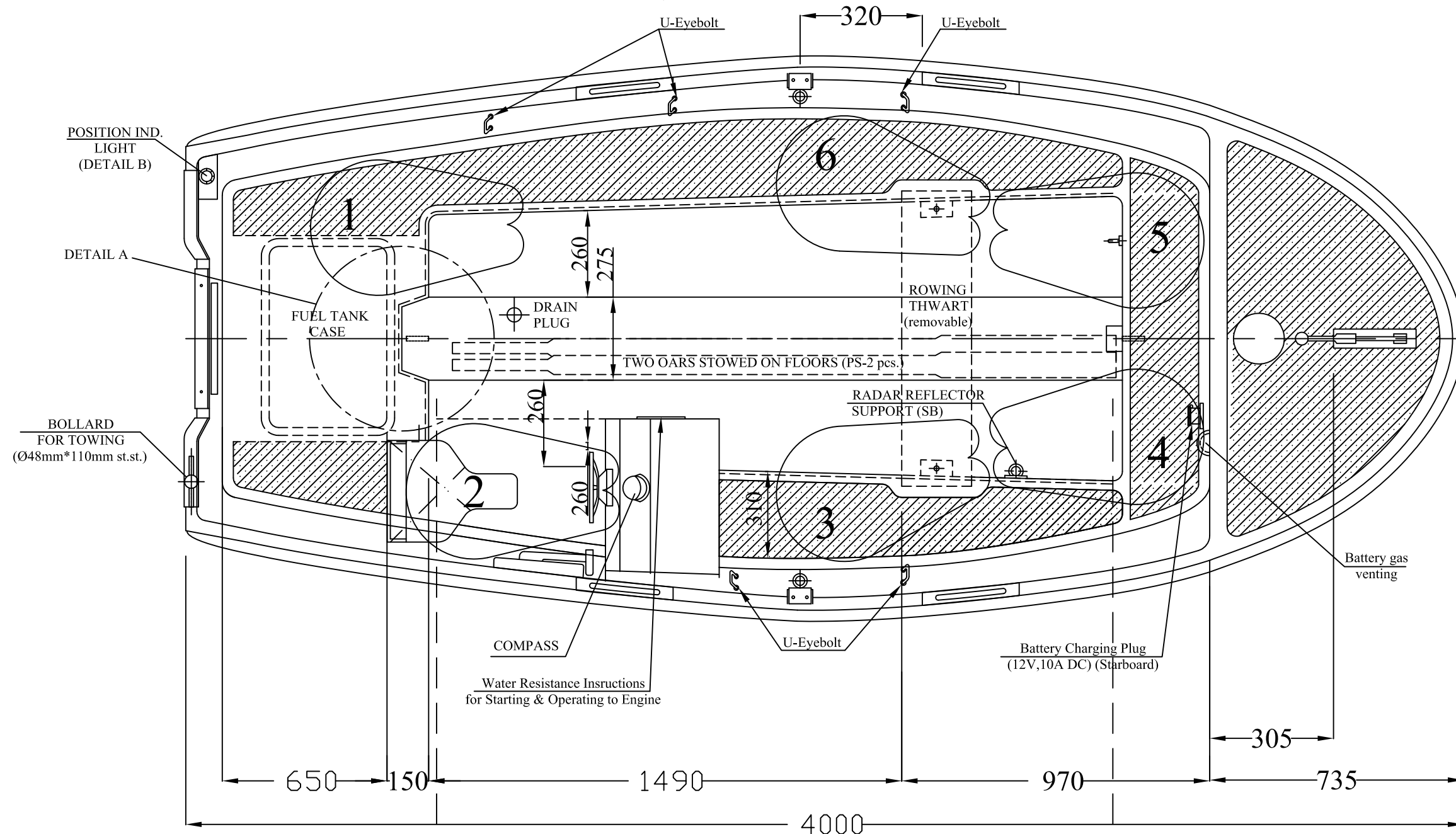
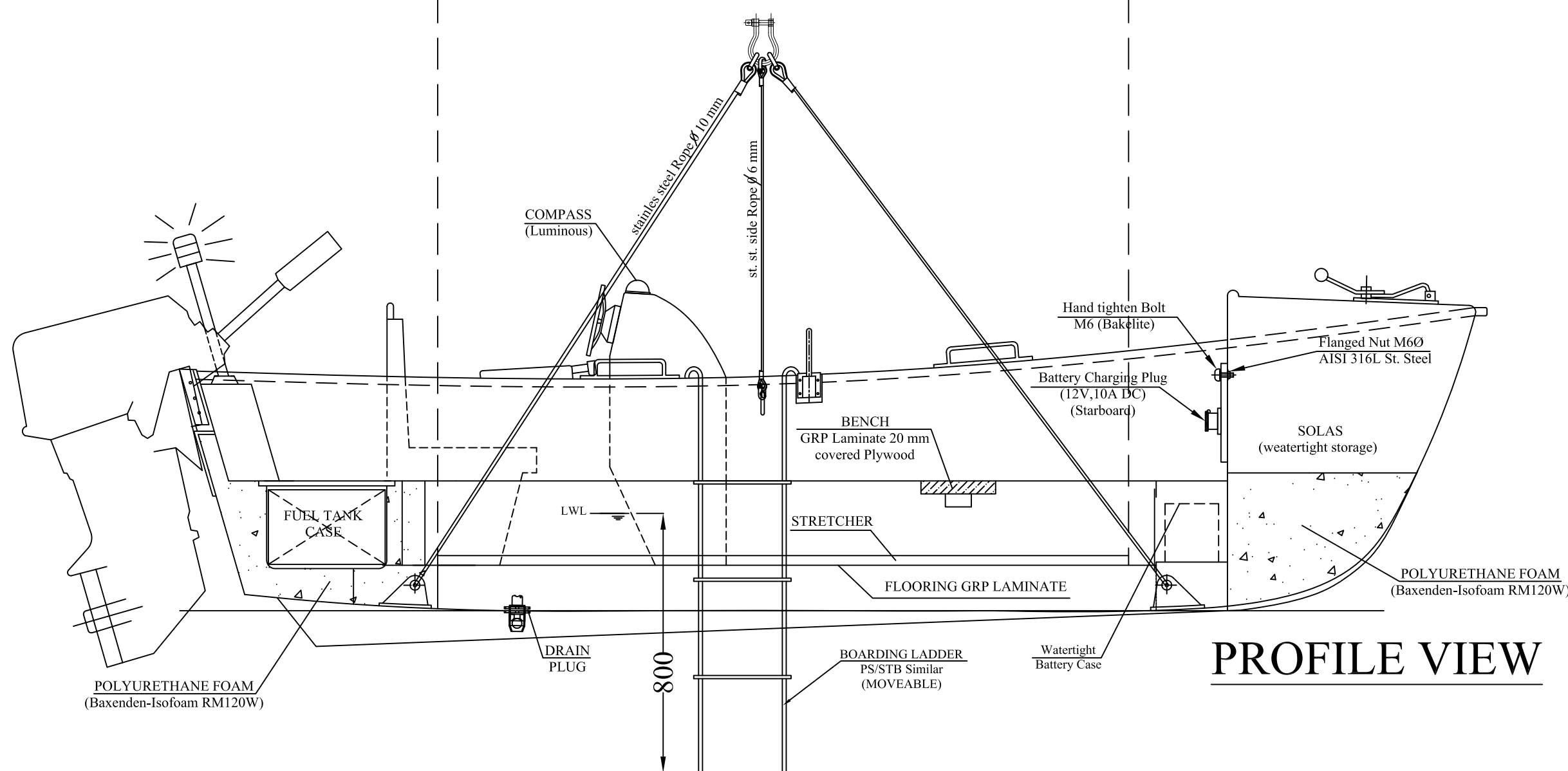


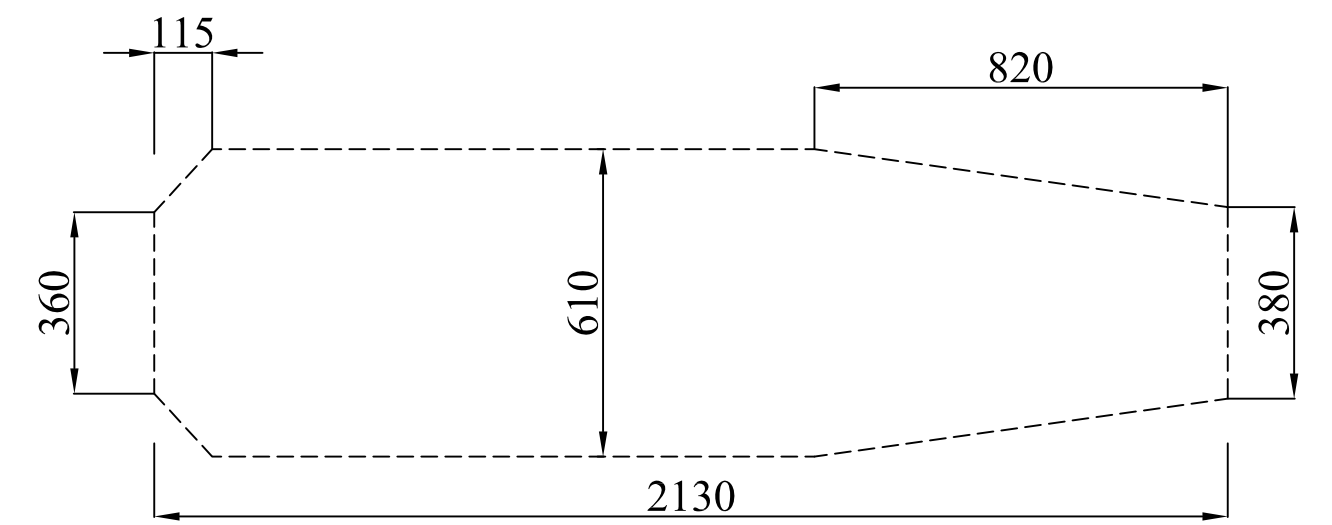
SEATING ARR'



TOP VIEW

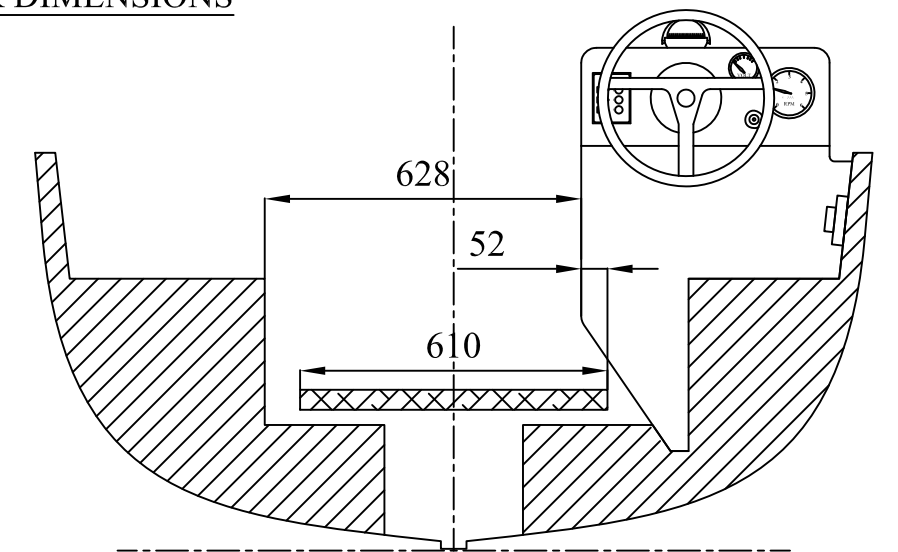


PROFILE VIEW



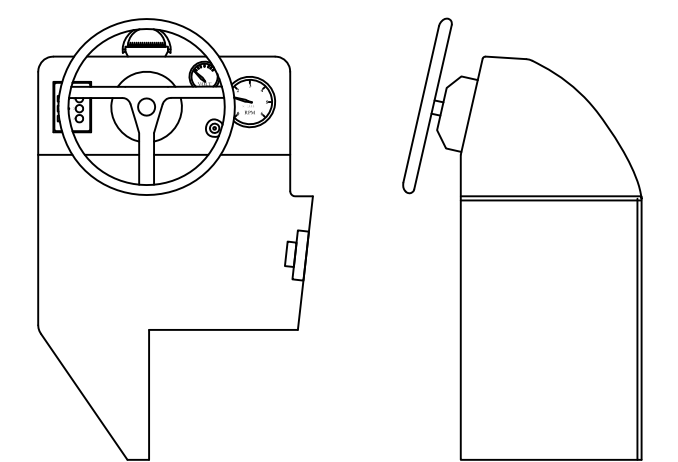
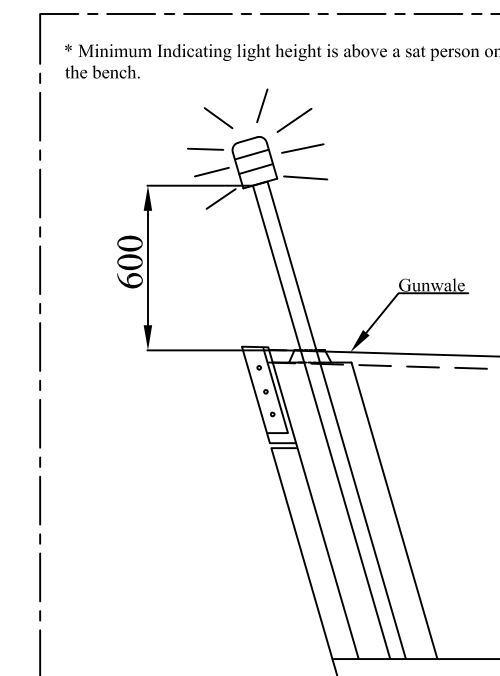
STRETCHER DIMENSIONS

Archived in technical file of
Certificate N° ...06534/E0 EC.....
issued by Bureau Veritas
on behalf of French Authorities.

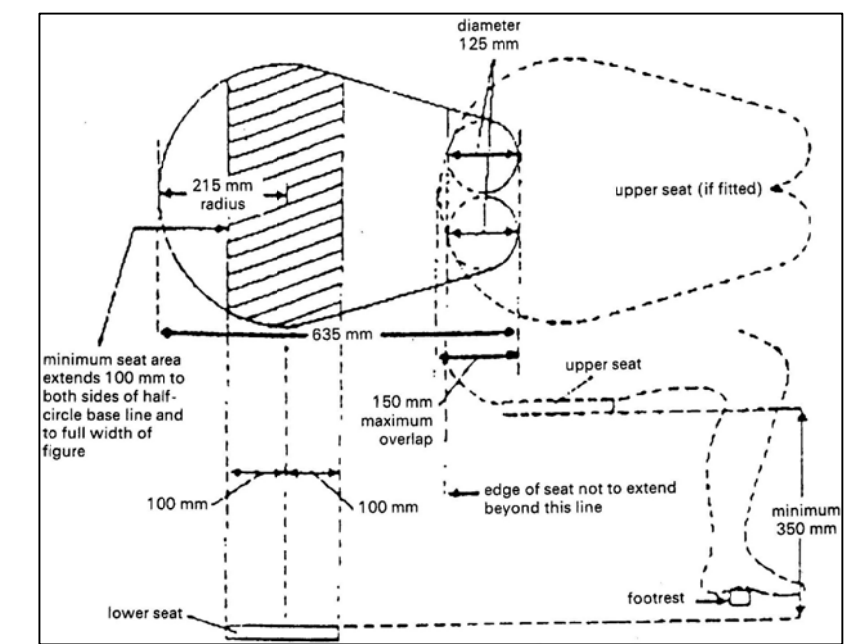
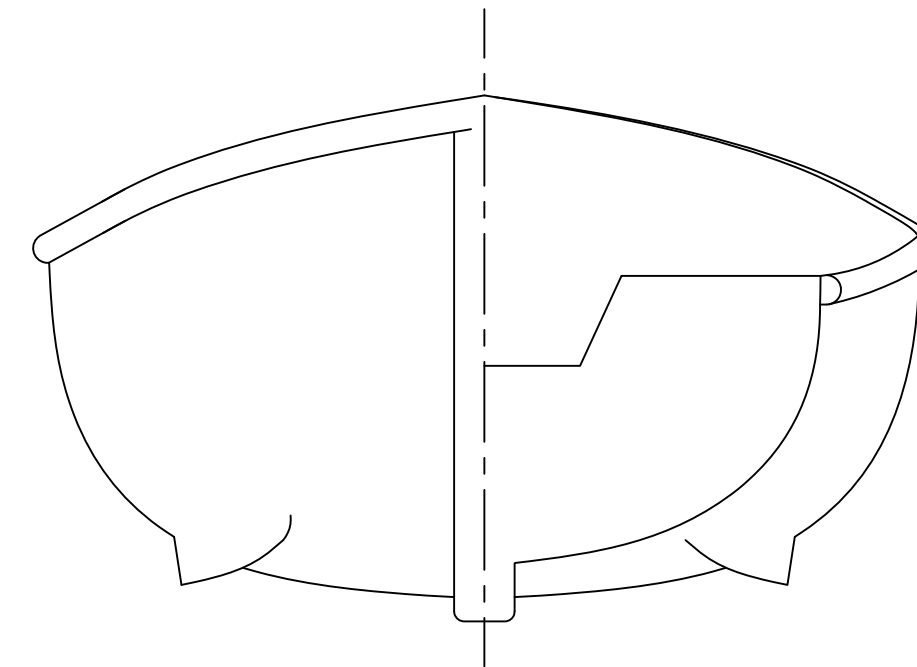


**A-A SECTION
Looking to FWD**

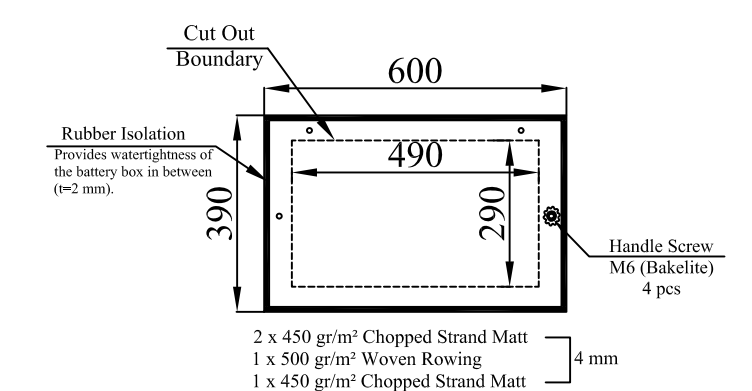
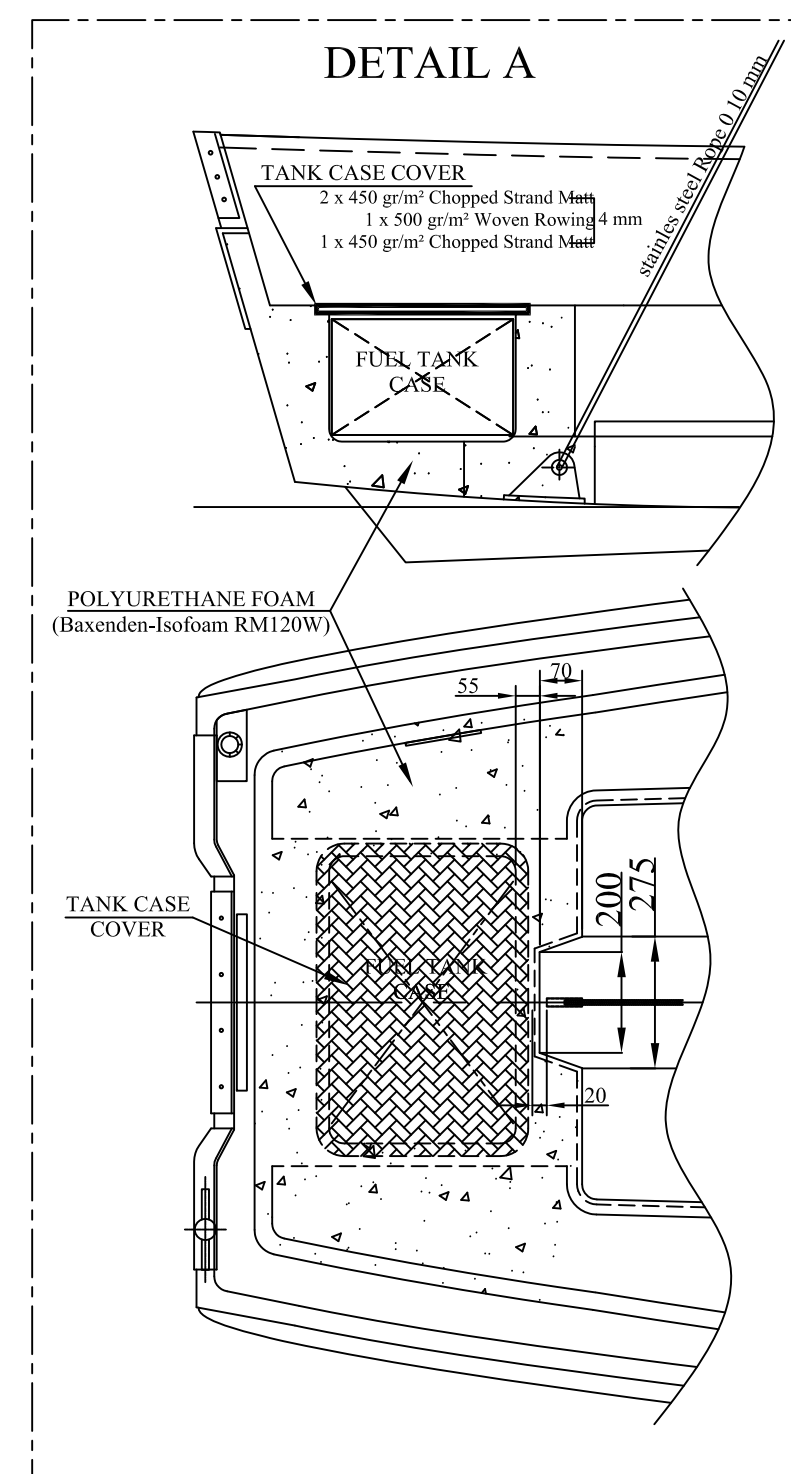
DETAIL B



CONSOLE DETAIL



DETAIL A



SOLAS STORAGE COVER

MAIN DIMENSIONS

L	: 4.00 m
Loa (with outboard Eng. 25 HP)	: 4.40 m
B mld.	: 1.72 m
B oa	: 1.79 m
Depth	: 0.72 m
Weight (Unloaded)	: 490 kg
Weight (Loaded)	: 985 kg

Rev. No.	REV.	Date
3		
2		
1		

GEPA FIBERGLASS INDUSTRY & TRADE CO. INC.
Aydintepe Mah. Yakamoz Sok. No:10, Aydıntepe
34947 TUZLA / ISTANBUL / TURKEY

G-RB1 DE Type, RESCUE BOAT		
GENERAL ARRANGEMENT, STRETCHER PLAN & DIMENSIONS		DATE 17.03.2016
CAD/CAE	Ç. BURAK YILDIRIM	DRAWING NO.
DESIGN AND CONT.	Prof. Dr. Teoman ÖZALP	G-RB1-DE-01
SCALE	CLASS	REV.
1/15 (A1)	BV	08 (02.06.2016)

- * Colour of the Rescue Boat is orange in compliance with LSA Code 1.2.2.6 (POLIYA ORANGE 53)
- * Each seating position is indicated with painted numbers compliance with LSA 4.4.2.3
- * Rubber material is EPDM.
- * Fuel Tank Supplied by Mercury Marine, Stored in fire & explosion protected volume.(Vol. 25 lt.)
- * Boarding ladder is tied to the U-Eyebolt with knots