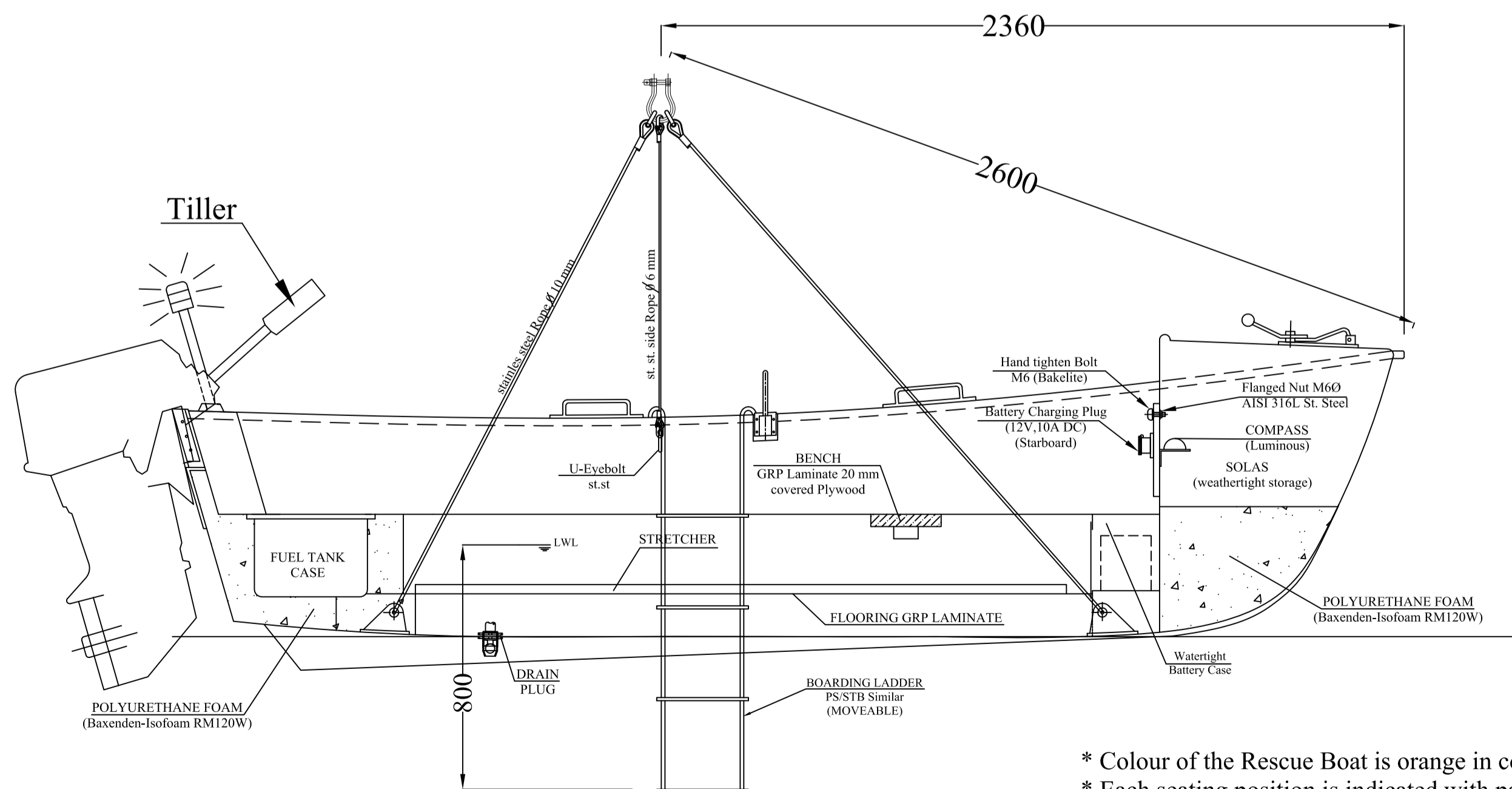
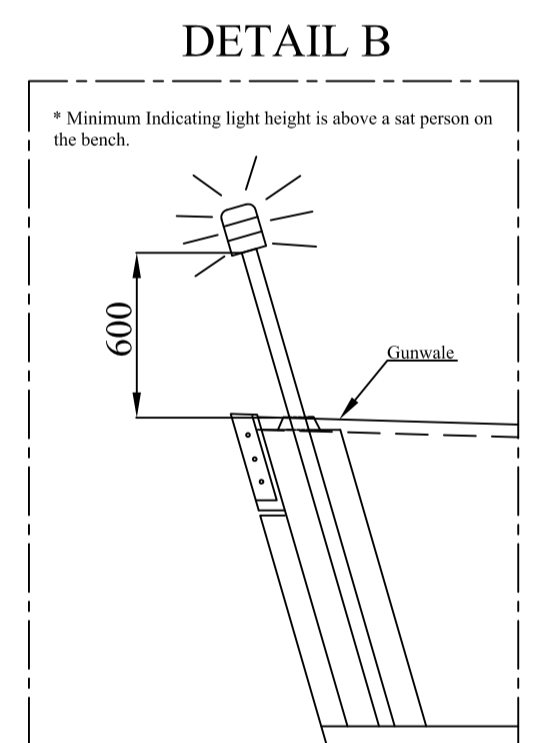
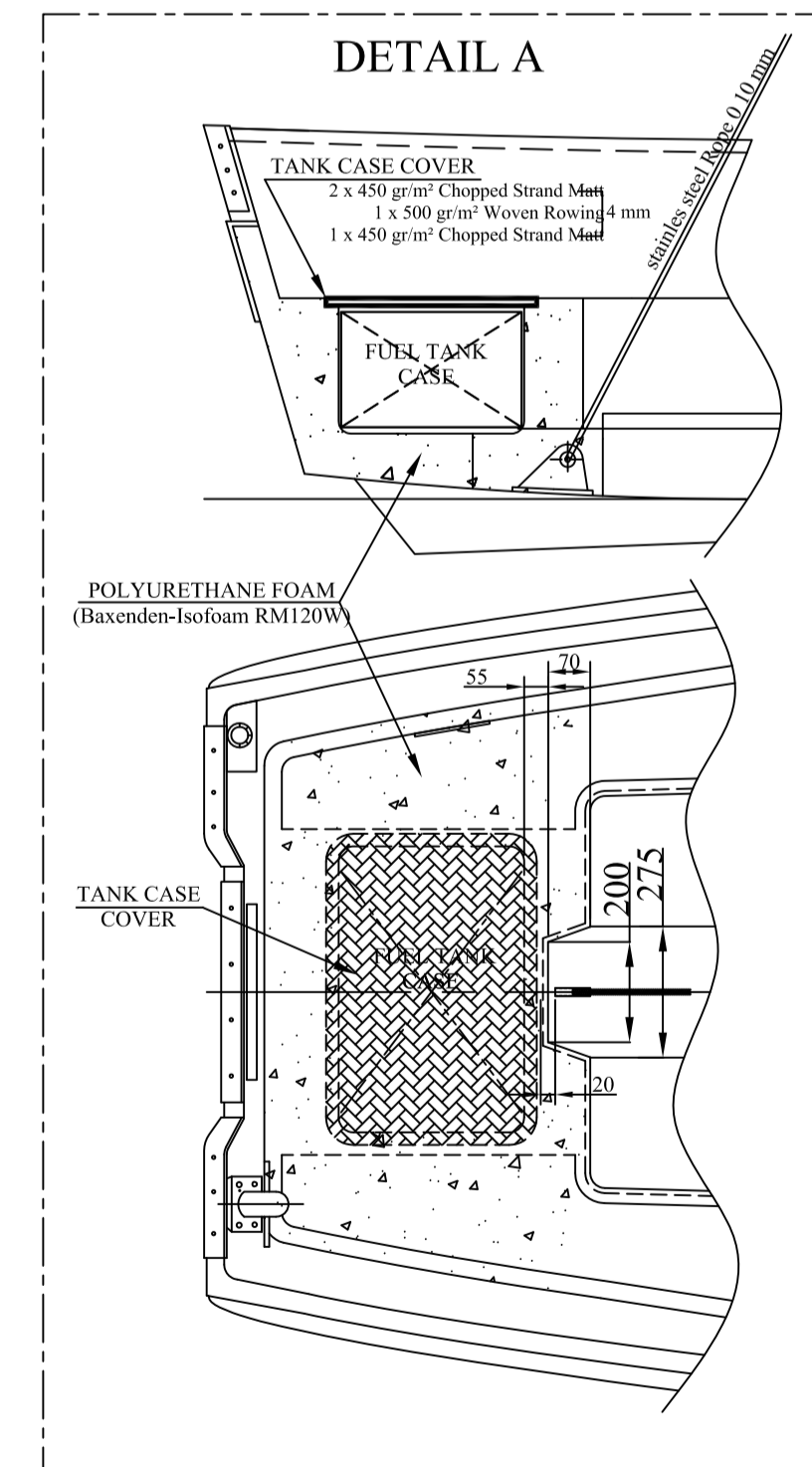
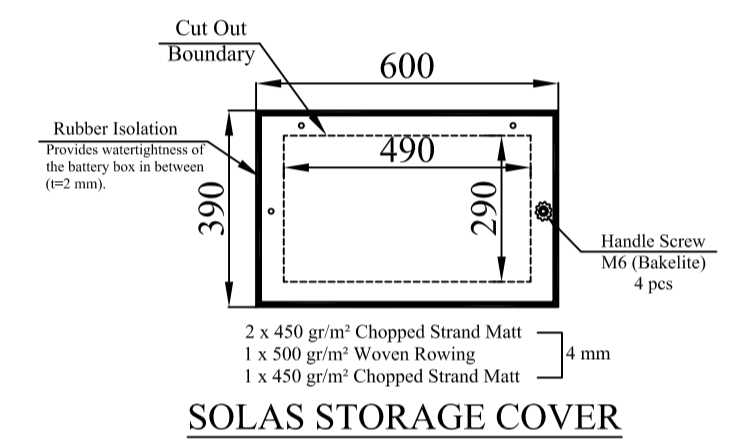
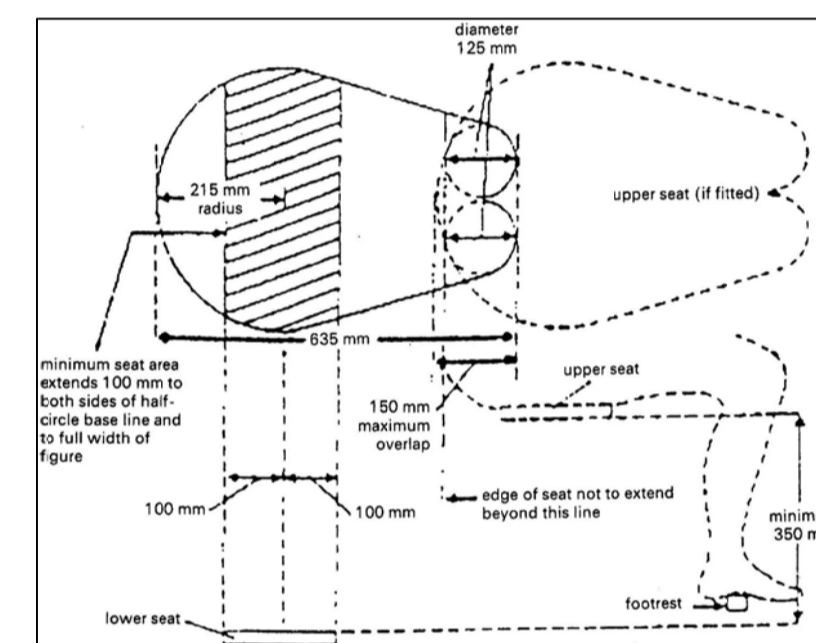
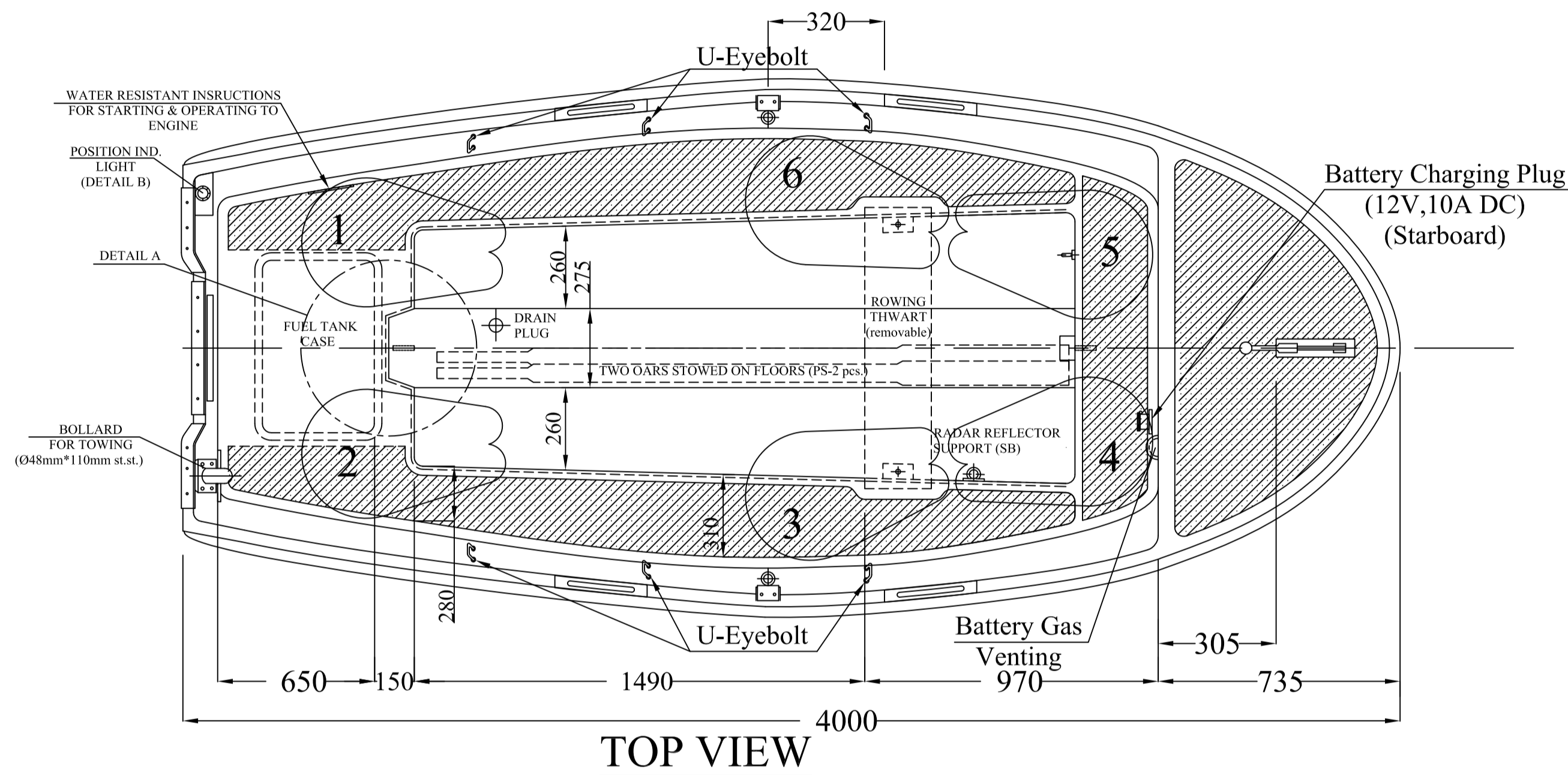
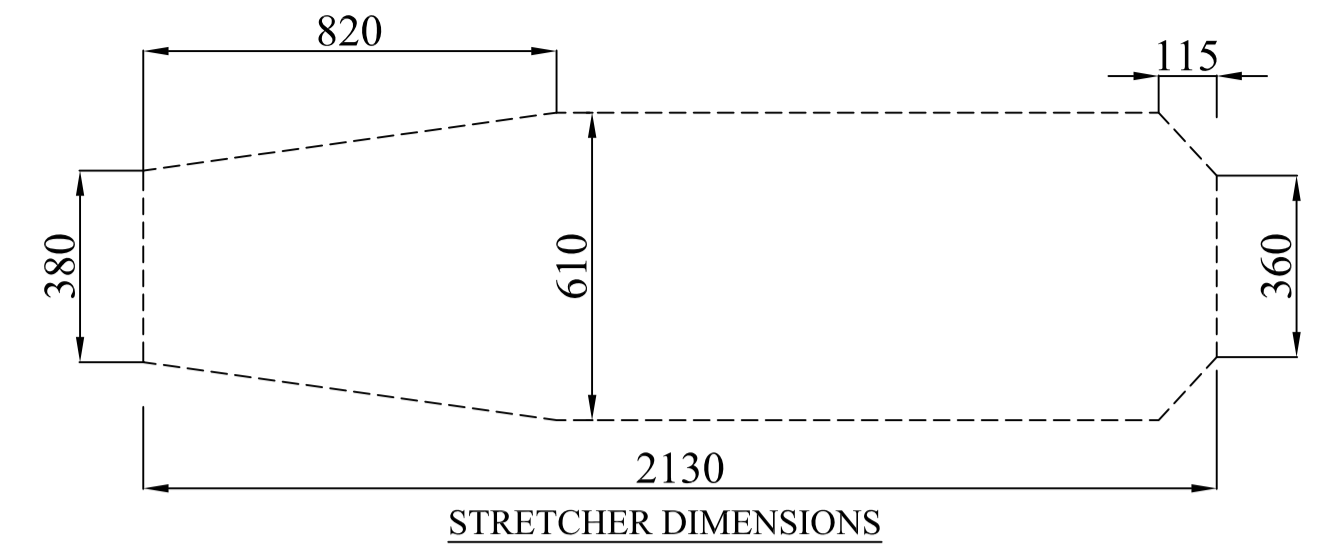


Archived in technical file of  
 Certificate N° ...06534/E0.EC.....  
 issued by Bureau Veritas  
 on behalf of French Authorities.



**MAIN DIMENSIONS**

L	: 4.00 m
Loa ( with outboard Eng. 25 HP )	: 4.40 m
B mld.	: 1.72 m
B oa	: 1.79 m
Depth	: 0.72 m
Weight (Unloaded)	: 470 kg
Weight (Loaded)	: 965 kg

Rev. No.	REV.	Date
3		
2		
1		

**GEPA FIBERGLASS INDUSTRY & TRADE CO. INC.**  
 Aydıntepe Mah. Yakamoz Sok. No:10, Aydıntepe  
 34947 TUZLA / ISTANBUL / TURKEY

G-RB1 Type, RESCUE BOAT		
GENERAL ARRANGEMENT , STRETCHER PLAN & DIMENSIONS		DATE 17.03.2016
CAD/CAE	C. BURAK YILDIRIM	DRAWING NO.
DESIGN AND CONT.	Prof. Dr. Teoman ÖZALP	G-RB1-01
SCALE	CLASS	REV.
1/10 (A1)	BV	08 (02.06.2016)

- \* Colour of the Rescue Boat is orange in compliance with LSA Code 1.2.2.6 (POLIYA ORANGE 53)
- \* Each seating position is indicated with painted numbers compliance with LSA 4.4.2.3
- \* Rubber material is EPDM.
- \* Steering is controlled manually by the tiller.
- \* Fuel Tank Supplied by Mercury Marine, Stored in fire & explosion protected volume.(Vol. 25 lt.)
- \* Boarding ladder is tied to the U-Eyebolt with knots.

**PROFILE VIEW**